

# EZ Series WM

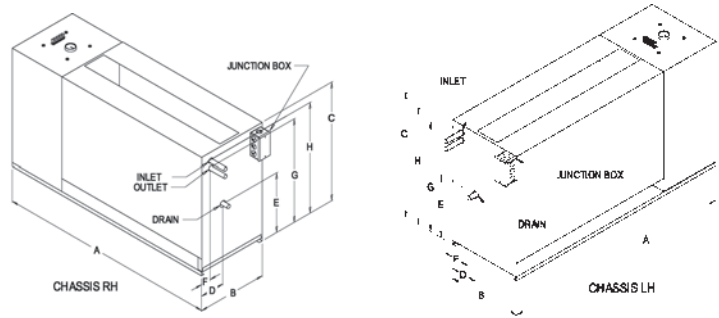
## Console Water Source Heat Pump Replaces McQuay and Singer

Islandaire “The Perfect Fit” units are designed to exactly replace the original, existing chassis! No field modification kits or builder renovations are required. Islandaire units are designed for optimal efficiency and reliability. This unit has the ability to have the piping and the controls “reversed” in the field. If you order the wrong side for piping and controls, no problem. Just reverse them in the field saving time and money.

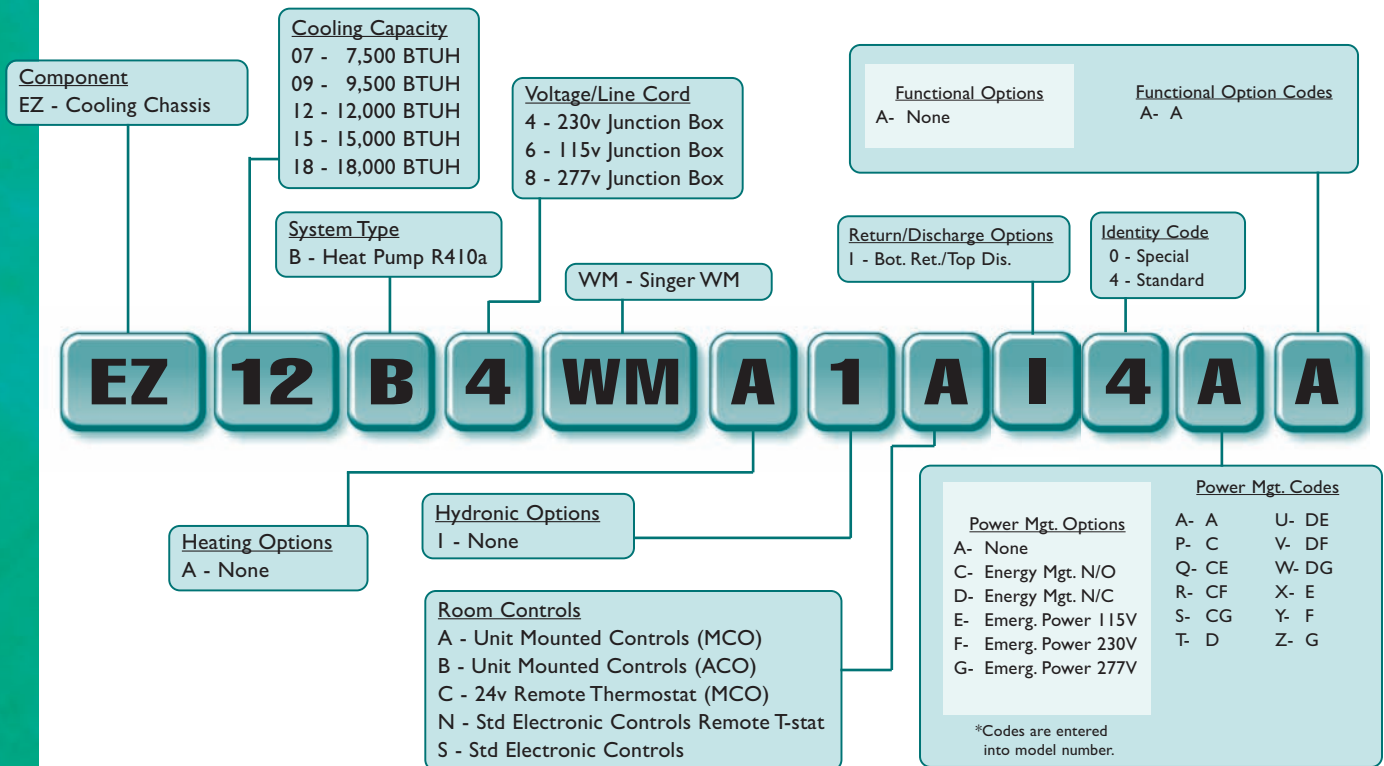
This appliance is intended for new construction or replacement of McQuay and Singer water source heat pumps. Please confirm that the electrical rating of this appliance matches the electrical supply available before beginning installation.

### Features on the EZ Series WM:

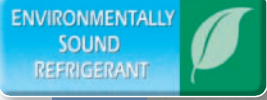
- Proudly made in the U.S.A
- Left hand piped, right hand controls, but can be field reversed
- Superior energy efficient ratios (EER)
- High efficiency coaxial condenser coil
- High efficiency evaporator coil
- Commercial duty construction with heavy gauge galvanized steel
- High pressure protection
- Compressor and water circuit freeze protection
- Refrigerant circuit access ports



Series	Cooling BTU	A	B	C	D	E	F	G	H
WM	07	37.82	10.25	25.00	04.25	14.00	01.00	21.50	22.75
WM	09	37.82	10.25	25.00	04.25	14.00	01.00	21.50	22.75
WM	12	37.82	10.25	25.00	04.25	14.00	01.00	21.50	22.75
WM	15	42.82	12.00	25.00	04.35	15.00	01.81	22.73	23.98
WM	18	42.82	12.00	25.00	04.35	15.00	01.81	22.73	23.98



# EZ Series WM



*Slide the old WM unit out, slide "The Perfect Fit" Islandaire unit in! No Renovations!*

## MODELS

VOLTS	EZ07				EZ09				EZ12				EZ15			EZ18		
	115	230	208	277	115	230	208	277	115	230	208	277	230	208	277	230	208	277
BTUH COOLING	8,100	8,100	7,900	8,100	9,300	9,300	9,100	9,300	12,200	12,200	12,000	12,200	15,000	14,800	15,000	19,000	18,800	19,000
AMPS	6.3	3.4	3.5	3.2	8.8	4.4	4.5	3.8	10.3	6.2	6.5	5.0	6.7	7.1	5.9	8.1	8.3	7.2
WATTS COOLING	575	575	535	575	691	691	661	691	897	897	867	897	1119	1100	1119	1426	1406	1426
EER	14.0	14.0	14.0	14.0	13.5	13.5	13.5	13.5	13.6	13.6	13.6	13.6	13.4	13.4	13.4	13.3	13.3	13.3
CFM HIGH	420	420	410	420	420	420	410	420	460	460	450	460	460	450	460	545	535	545
CFM LOW	280	280	270	280	280	280	270	280	320	320	310	320	380	370	380	400	390	400
BTUH HEATING	9,600	9,600	9,580	9,600	12,000	12,000	11,800	12,000	15,000	15,000	14,800	15,000	17,900	17,870	17,900	22,100	22,068	22,100
WATTS HEATING	610	610	600	610	771	771	751	771	953	953	933	953	1370	1350	1370	1476	1446	1476
C.O.P.	4.6	4.6	4.6	4.6	4.5	4.5	4.5	4.5	4.6	4.6	4.6	4.6	4.6	4.6	4.6	4.5	4.5	4.5
G.P.M.	2.0	2.0	2.0	2.0	2.0	2.0	2.0	2.0	3.0	3.0	3.0	3.0	3.8	3.8	3.8	4.6	4.6	4.6

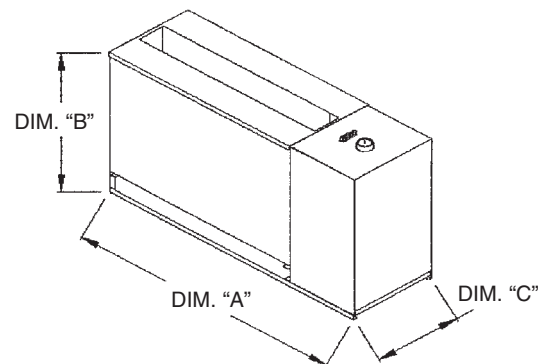
Note: Data based on ARI Standard 320

Cooling - Entering Air - 80 deg. F DB \67 DEG. F WB

- Entering Water - 85 deg. F

Heating - Entering Air - 70 deg. F DB

- Entering Water - 70 deg. F



Line Voltage	Maximum Amperage	Wall Socket Configuration	Receptacle Number
115	16		NEMA 5-20R
208/230	16		NEMA 6-20R
277	16		NEMA 7-20R
208/230	12		NEMA 6-15R

BTU	DIM "A"	DIM "B"	DIM "C"
07	37 7/8	25	10 1/4
09	37 7/8	25	10 1/4
12	37 7/8	25	10 1/4
15	42 7/8	25	12
18	42 7/8	25	12

